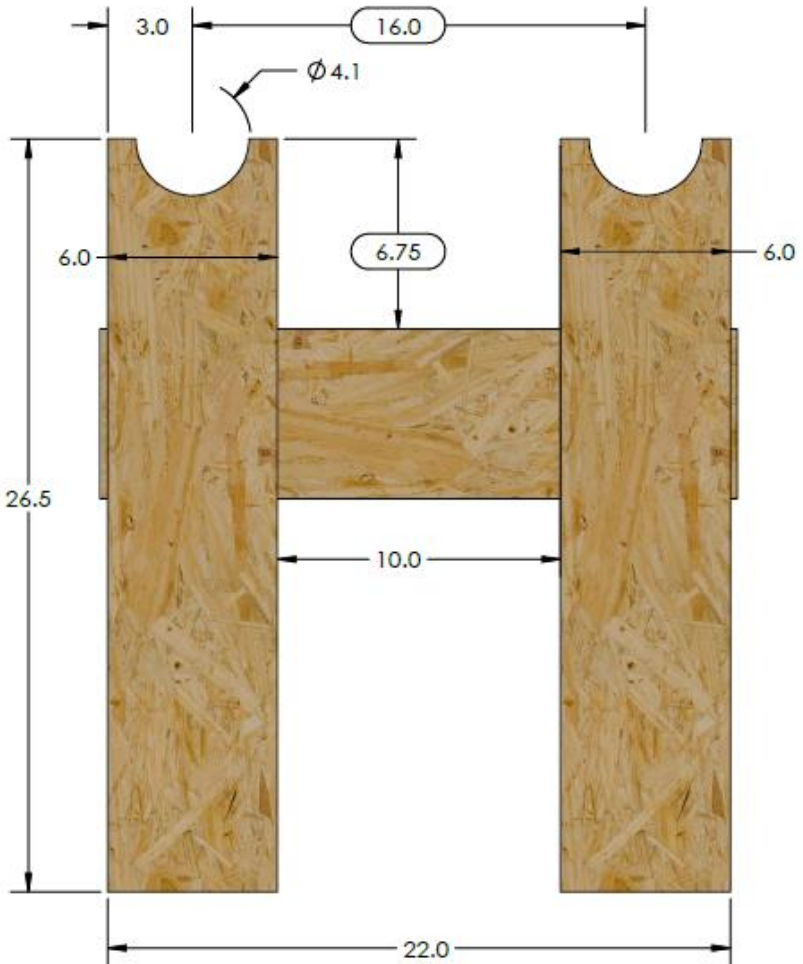
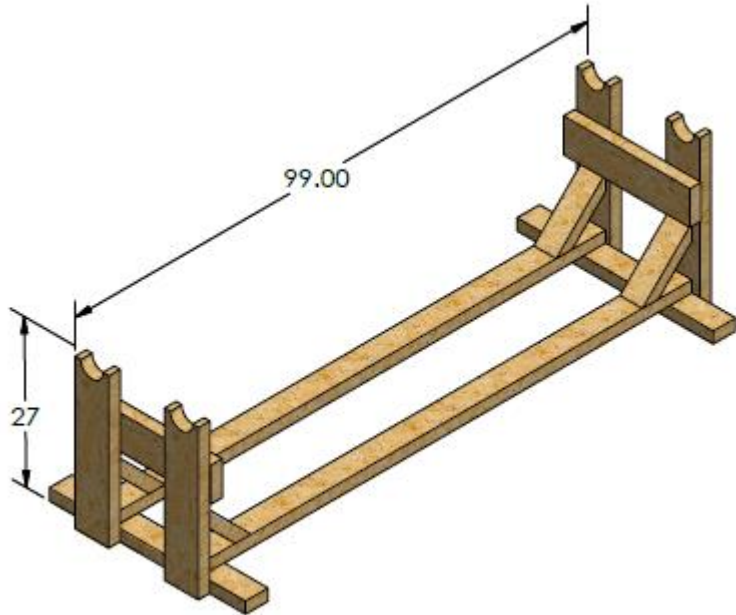


Big Shot Jig Instructions



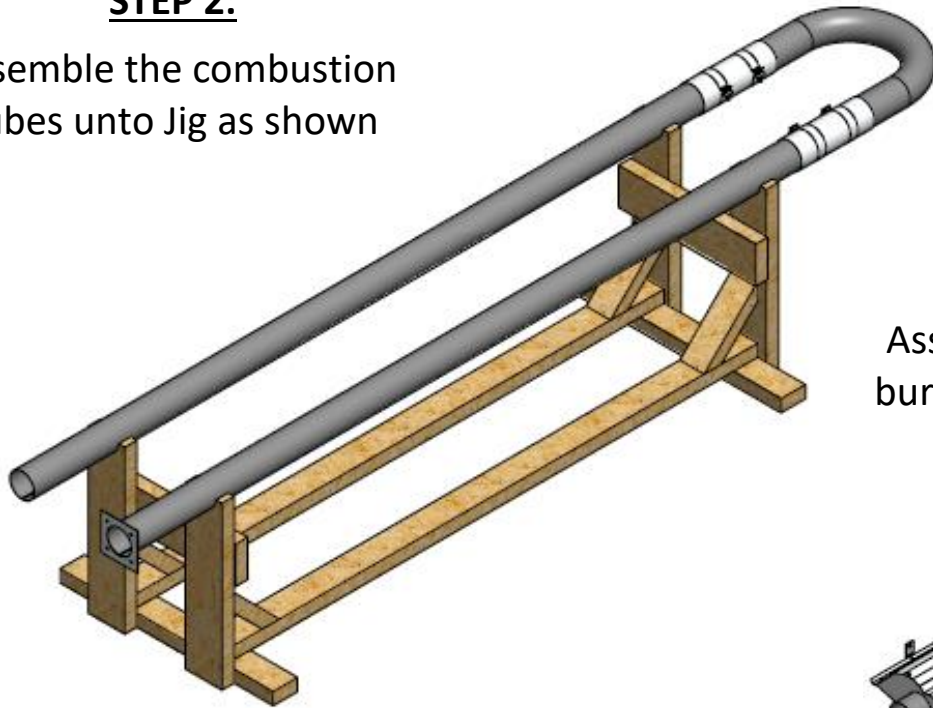
STEP 1:

Create the wooden Jig with dimensions shown below



STEP 2:

Assemble the combustion tubes unto Jig as shown



Step 3

Assemble reflector and burner unto combustion tube as shown.

