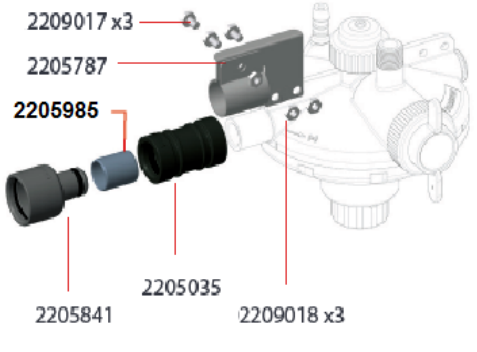
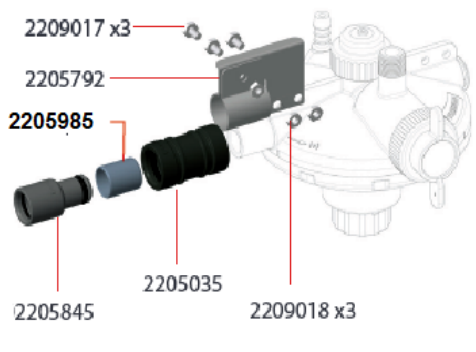
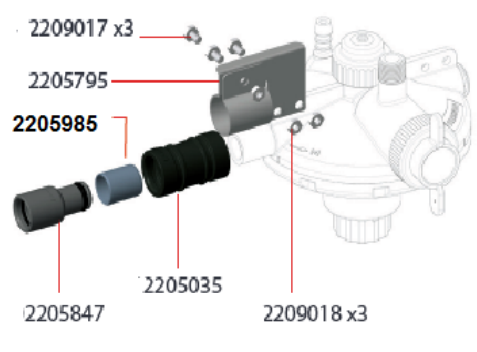
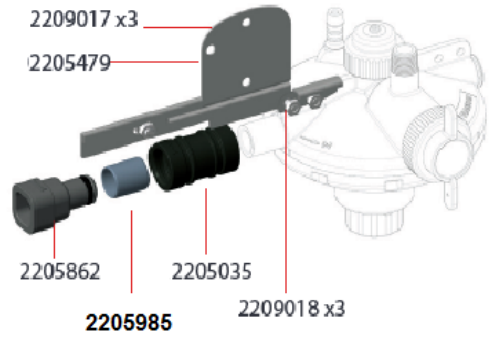
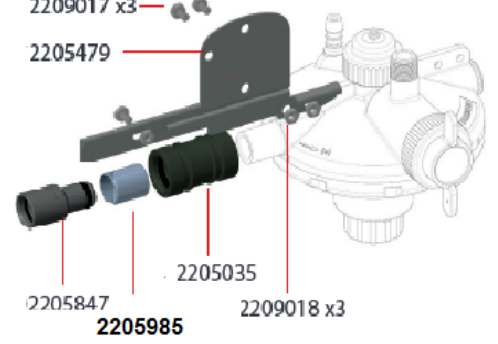


MK2 Connections to Competitor Systems

Ziggity Big Ace Pressure Reg Mk2 Adaptor For Ziggity 1" Set	Ziggity Ace Pressure Reg Mk2 Adaptor For Ziggity 1/2" Set	Val Conduit Pressure Reg Mk2 Adaptor For Val 3/4" Set
 <p> 2209017 x3 2205787 2205985 2205841 2205035 2209018 x3 </p>	 <p> 2209017 x3 2205792 2205985 2205845 2205035 2209018 x3 </p>	 <p> 2209017 x3 2205795 2205985 2205847 2205035 2209018 x3 </p>

Lubing 22mm Pressure Reg Mk2 Adaptor For Lubing 22mm Set	Val & Chore Time Aluminum Pressure Reg Mk2 Adaptor For chortime set
 <p> 2209017 x3 2205479 2205862 2205985 2205035 2209018 x3 </p>	 <p> 2209017 x3 2205479 2205847 2205985 2205035 2209018 x3 </p>

#220902L15 Silicone Lubricant must be used to prevent O-ring damage