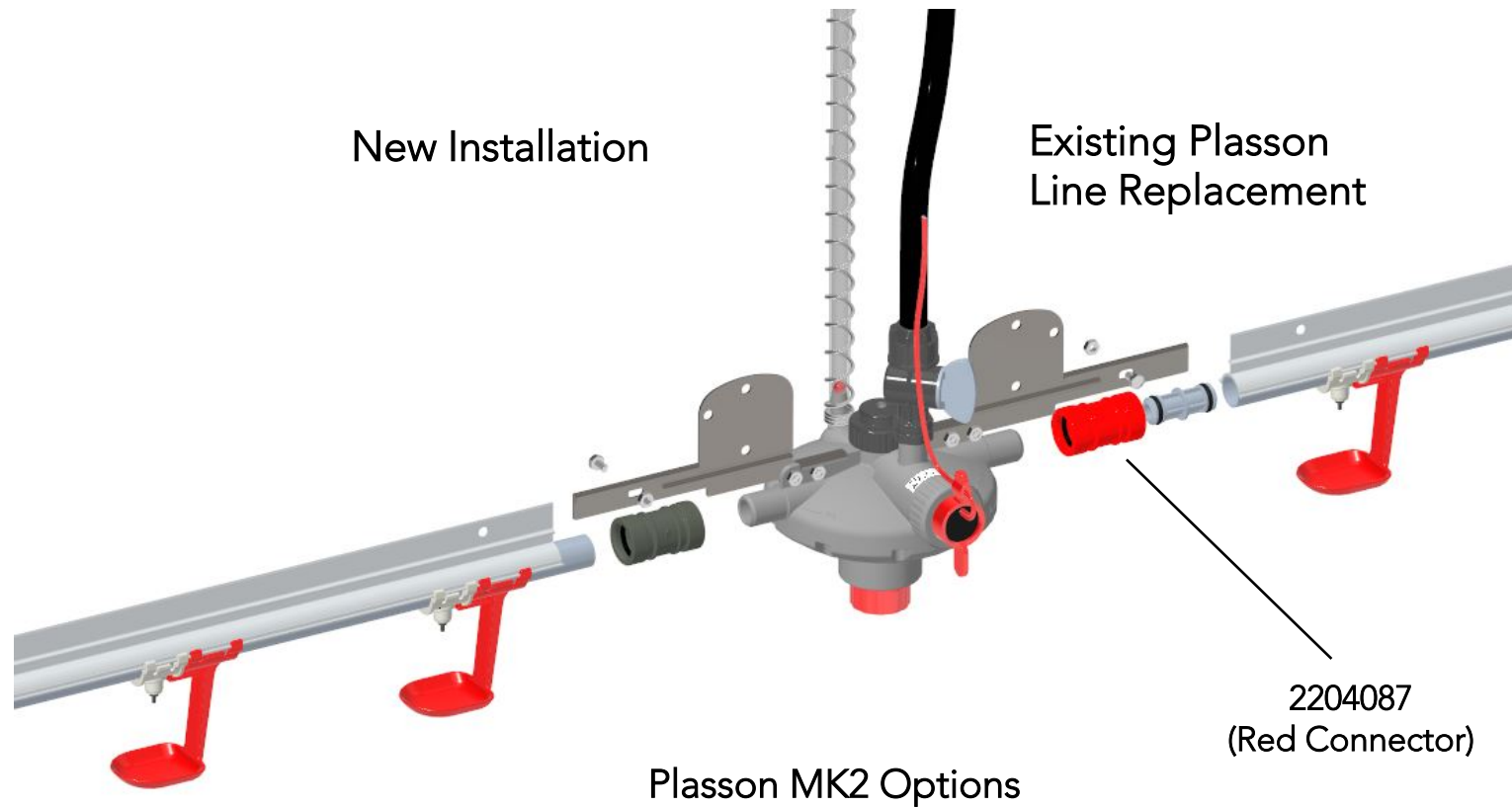


MK2 Line Connections for Plasson Systems



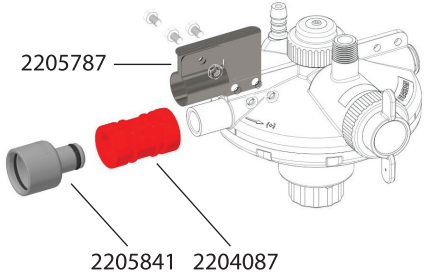
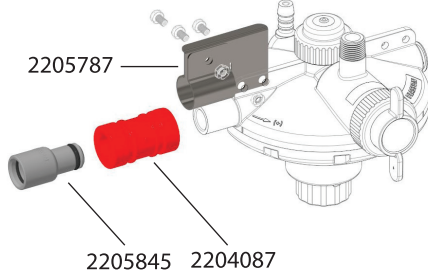
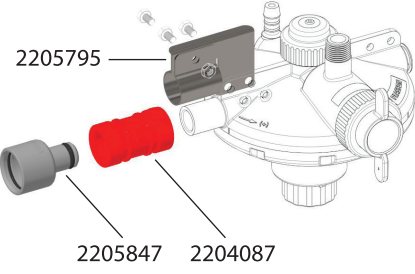
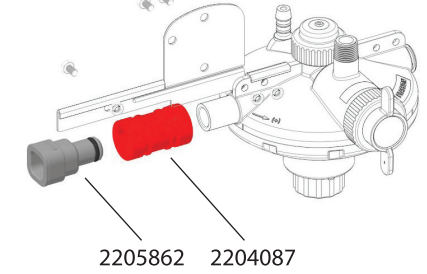
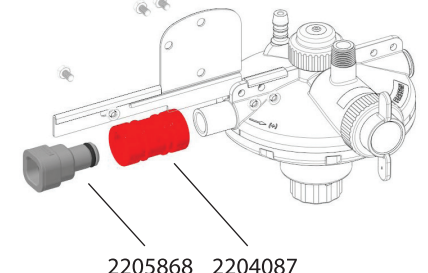
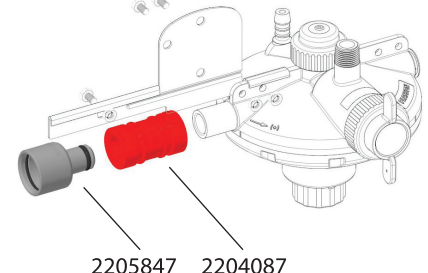
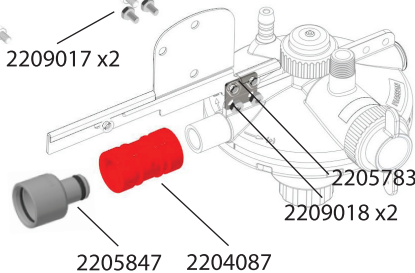
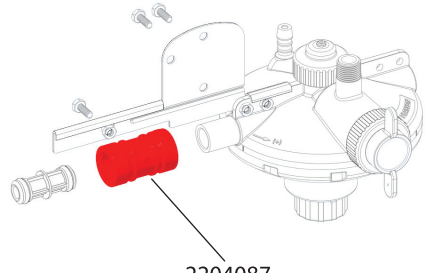
Water On Demand Reducers:

220507WMK2	WOD Header Kit
220507WDMK2	WOD Header Kit with Detachable Sight Tube
220507WFMK2	WOD Auto-Flush Header Kit
220507W2MK2	WOD Two-Way Header Kit
220507WF2MK2	WOD Two-Way Auto-Flush Header Kit with Detachable Sight Tube

Standard Regulators:

220507AMK2	Header Kit
220507ADMK2	Header Kit with Detachable Sight Tube
220507FMK2	Two-Way Header Kit
220507FAMK2	Two-Way Auto-Flush Header Kit

MK2 Line Connections for Competitor Systems

<p>2205784 Ziggity Big Ace 1"</p>	<p>2205785 Ziggity Ace 1/2"</p>	<p>2205786 Val Conduit</p>	<p>2205862 Lubing 22 mm Aluminum</p>
 <p>2205787 2205841 2204087</p>	 <p>2205787 2205845 2204087</p>	 <p>2205795 2205847 2204087</p>	 <p>2205862 2204087</p>
<p>2205868 Lubing 28 mm Aluminum</p>	<p>2205847 Val & Chore Time Aluminum</p>	<p>2205788 Cumberland Aluminum</p>	<p>2204087 MK2 Replacement</p>
 <p>2205868 2204087</p>	 <p>2205847 2204087</p>	 <p>2209017 x2 2205783 2209018 x2 2205847 2204087</p>	 <p>2204087</p>

Order 1 kit for every Plasson MK2 Line Header ordered (x2 for any two-way line head)

#220902L15 Silicone lubricant should be used to prevent O-ring damage