

sonata™

Dual Pulse Water Meter by Arad

The Sonata is an advanced and highly accurate ultrasonic water meter for agricultural applications. With no moving parts, the Sonata's robust design ensures reliable and long lasting precision. The Sonata is an excellent solution for addressing extremely low volume and flow. Leak detection can be enabled when paired with a Rotem controller.



Groundbreaking Performance

The Sonata's ultrasonic technology leverages ARAD's years of experience with its ultrasonic OCTAVE bulk water meter.

- Registers low volume at 0.05 GPM
- Supplies dual 1 & 10 pulse output
- Allows independent dual output connection
- Available in 3/4" and 1" models
- Durable plastic housing
- Design creates obstacle-free passage
- Displays current flow rate in gallons per minute

Pulse Interface

The Sonata pulse output has one cable with 4 wires, color coded as follows:

Wire	Function	Set Pulse
Red + Orange	Output #1	10 pulse per gal
Black + Brown	Output #2	1 pulse per gal

Exceptional Reliability and Lifespan

The Sonata has no moving parts, and its body is made of durable PPS composite. This robust design makes the Sonata maintenance-free and highly precise throughout its battery lifespan of up to 10 years.*



*According to the pre configuration parameters mentioned above. For further warranty information details please visit <https://arad.co.il/certification-policies/>

Clear See-Through Design

The unique patent pending see-through flow design creates an obstacle-free water passage, minimizing pressure loss over the meter.



Technical Specifications

Pressure Loss	2.32 PSI
Maximum Working Pressure	232 PSI
Maximum Water Temperature	120°F
Body	PPS, highly reinforced composite material
Washdown Rating	IP68

Dimensions

Model	73WMS01	73WMS02
Pipe Size	3/4"	1"
L - Length (in)	7 1/2	10 1/4
H - Overall height (in)	4 3/5	4 3/4
h - Height above axis (in)	3 1/10	3 1/5
W - Width (in)	3 1/10	3 1/5
Threads w/ unions	NPT/union fittings	NPT/union fittings
Weight (kg)	0.900	

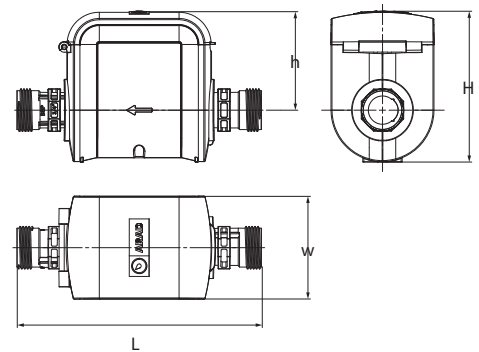
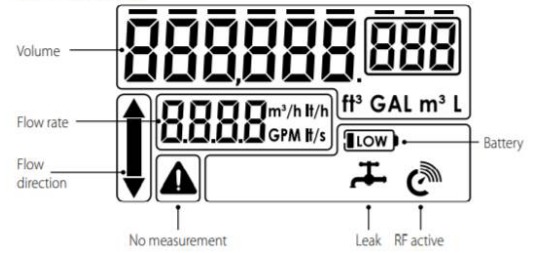
Sonata Operating Range

Model	73WMS01 (3/4")	73WMS02 (1")
Extended Low Flow	0.05 GPM	0.11 GPM
Maximum Operating Flow	35 GPM	55 GPM

Installation Requirements

- The meter can be installed in any position (horizontal, vertical or inclined).
- Prior to the installation of a new meter, the pipeline must be flushed.

The Sonata Display



Diversified Agriculture LLC

556 Industrial Way West
Eatontown, NJ 07724
info@diversifiedag.com

732.363.2333
Toll Free: 1.800.348.6663
DiversifiedAg.com